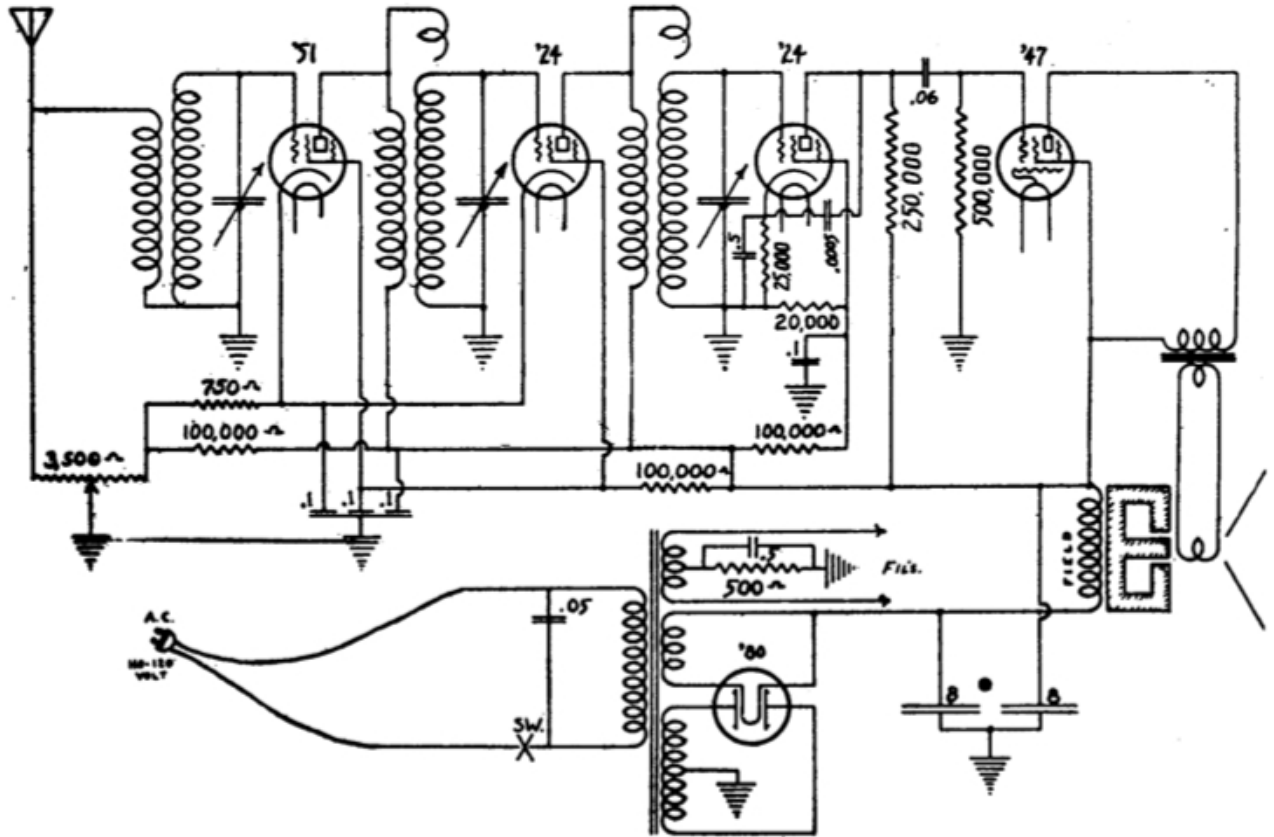


STUDEBAKER LABORATORIES

Model 51



No	Name	No	Name
P100	Coils (Set 3 matched).....	P112	Resistor (20,000 & 500,000)...
P101	Condenser (3 gang, tuning).....	P113	" (100,000 & 250,000)...
P102	" (By Pass bank).....	P114	" (25,000 & 500)...
P103	" (.06 Coupling).....	P115	" (100,000)...
P104	" (.0005 By Pass).....	P116	" (750)...
P105	" (.05 Line).....	P117	Socket (551).....
P106	" (8 Mfd. Filter).....	P118	" (224).....
P107	Dial Plate	P119	" (247 Pent).....
P108	Knobs	P120	" (280).....
P109	Pilot Lamp	P121	Speaker
P110	Posts (Ant. and Grd.).....	P122	Transformer (Power).....
P111	Resistor (100,000 & 50,000).....	P123	Volume Control and Switch....

	Tube	Fil.	Plate	Screen	Bias	
					"On"	"Off"
1st. R. F.....		2.5	185	88	5	16
2nd R. F.....		2.5	176	89	5	16
Det.		2.5	120*	32	4*	4
Pentode		2.5	192	208	16	16
Rect.		5.0